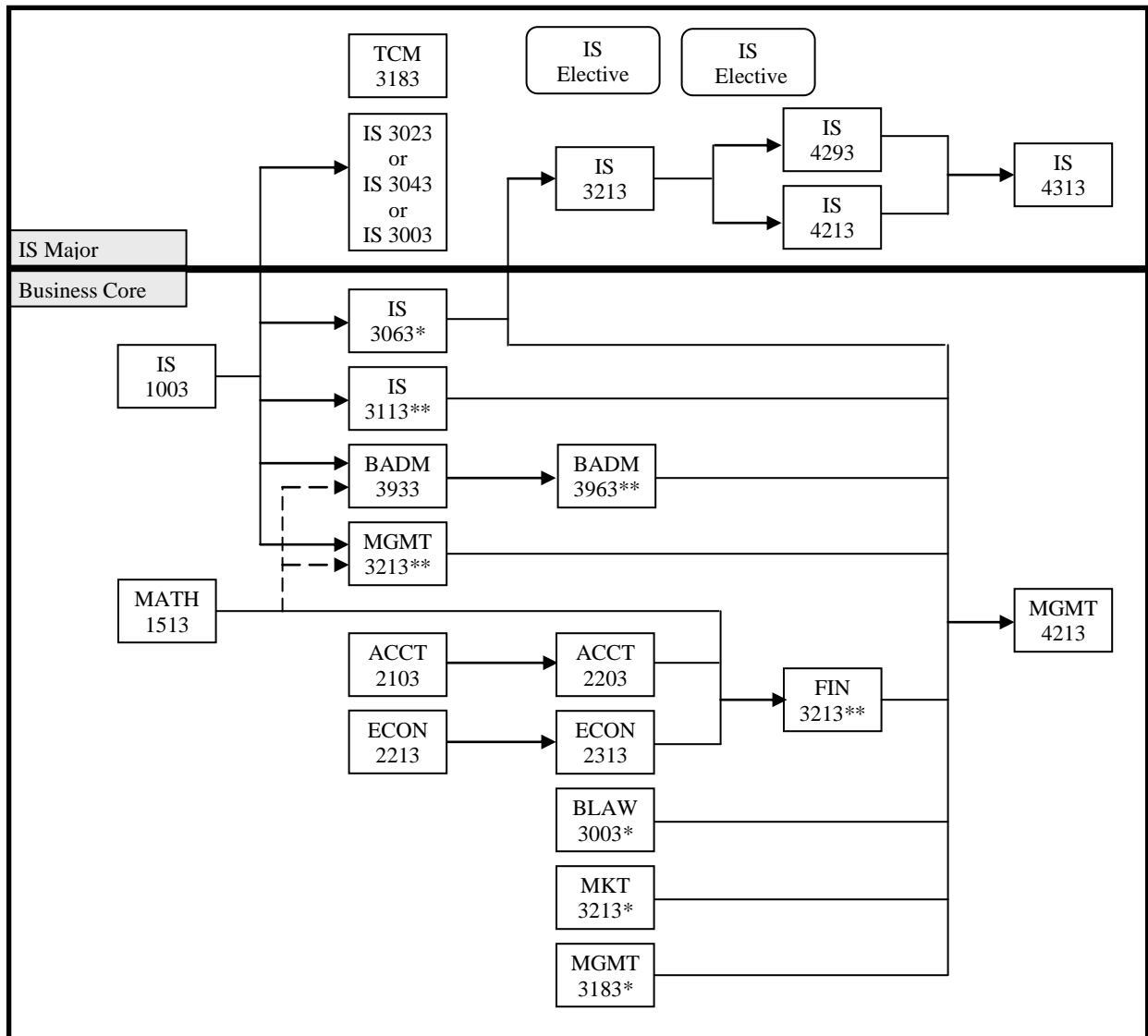


Information Systems (IS)
Prerequisite Chart
(Revised November 2010)



* Require junior status

** Require junior status and admission to BBA Degree Program

Requirements for BBA Degree Program

- Completed at least 45 college hours
- Fulfilled the computer competency requirements
- Received a “C” or higher in the following courses: ENGL 1113, ENGL 1213, MATH 1513
- Maintained an overall GPA ≥ 2.25
- Maintained a GPA ≥ 2.25 in the following courses: ACCT 2103, ACCT 2203, ECON 2113, ECON 2213
- Signed the CBT Code of Conduct

Why Major in Information Systems?

- IS majors will hold 3 of the top 8 growth jobs over the next 8 years ([Bureau of Labor Statistics](#)).
- IS majors have leading edge tools and techniques in their grasp.
- IS majors will enter careers with strong salaries.

Information Systems 4953 (Internship)

Taking part in an internship program will give you the opportunity of gaining practical work experience and marketable skills. An internship can potentially help you 'get your foot in the door' of a company or organization. Studies have found that interns are more readily employed after graduation. According to a recent poll by the National Association of Colleges and Employers, 52% of interns accept full-time jobs at the companies that they have interned with after graduation (local markets may differ). [http://www.jobtrak.com]

For more details visit: <http://www.cbt.nsuok.edu/majors/is/internship-4953.doc>